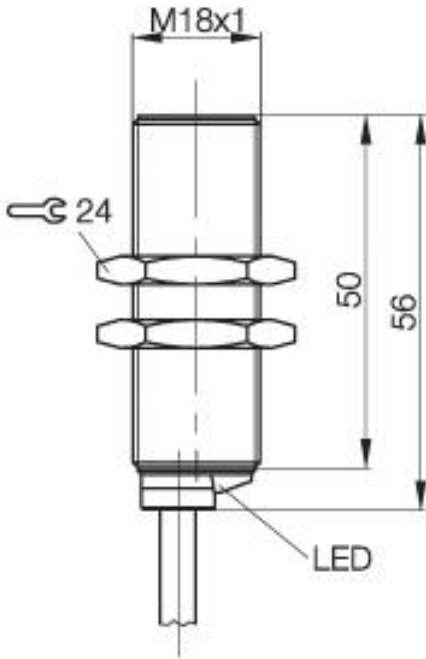


Inductive Sensors
BES M18MI-NSC50B-BV03
M18x1 x 56
normally-open
Sn=5mm
shielded



PX0268

Common Data

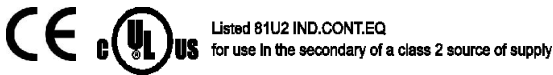
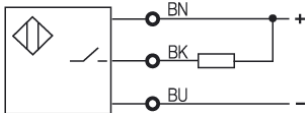
Product name	Black Line shielded
Mounting in steel	5mm
Rated operating distance Sn	0...4.0mm
Assured operating distance Sa	≤ 5%
Repeatability R	≤ 15%
Hysteresis	yes
Function indication	-25...+70°C
Ambient temperature range	3
Polution Degree	≤ 10ms
Time delay before availability	

Mechanical Data

Measurements BxHxT or DxT	M18x1 x 56mm
Housing material	Nickel plated brass
Material of sensing face	PA 12
Degree of protection	IP68 acc. BWN Pr 20IP
Connection	Cable
Cable type	LiYY-O
Schock: Halfsinus, 30 gn, 11ms	
Vibration: 55 Hz, 1mm Amplitude, 3 x 30 Minutes	

Electrical Data

Current type	DC
Wiring	3-Wire
switching function	normally-open
Output signal	NPN
Rated operational voltage	24 DCV
Rated operational current	200mA
Supply voltage	12...30 DCV
Ripple	≤ 15%
max. switching frequency	700Hz
No-load supply current	≤ 15mA
Off-state current	≤ 20µA
Voltage drop	≤ 2.5/-V
Short circuit protection	yes
Protected against polarity reversal	yes



Utilization categories DC 13
 Insulation class II

Datasheet number:

Definitions see general catalog.
 If not otherwise noted, ratings according to IEC 60947-5-2 (DIN EN60947-5-2)

Balluff GmbH
 Schurwaldstrasse 9
 73765 Neuhausen a.d.F.
 Phone (07158) 173-0 Fax (07158) 5010

Datenblatt by CD-ROM - 04/2007

